

# AC1200 Wireless VDSL Gigabit Router



## 2.4GHz and 5GHz Dual Bands

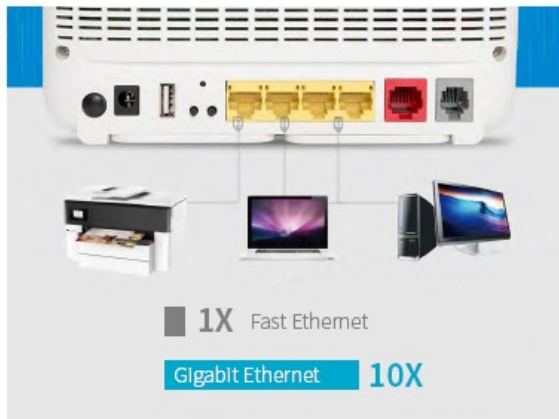
The DS244WSG-V2 supports highest wireless speeds of 867Mbps at 5GHz band and 300Mbps at 2.4GHz BAND. Now you can enjoy HD video streaming and lag-free online gaming on the 5GHz band while using the 2.4GHz band for daily tasks such like email checking and web browsing.



## Satisfies your multiple needs in one device

The modem router combined the function of VDSL modem, NAT router, 4-port switch and wireless access point into one fashionable device, providing one-stop solution for your home network connection.





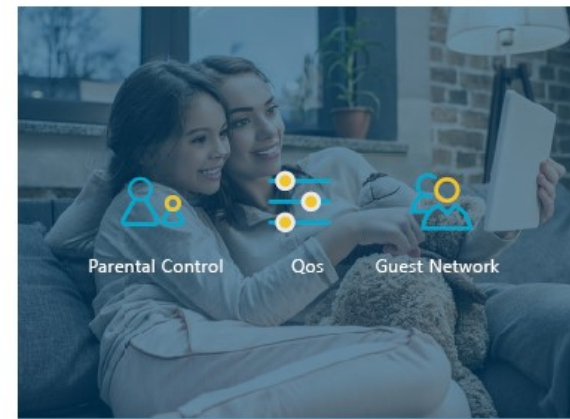
### Full Gigabit Wired Connections for Ultrafast Data Transfer Speeds

With one Gigabit WAN port and four Gigabit LAN ports, speeds can be up to 10X faster than standard Ethernet connections.



### Versatile USB Sharing

With the USB 2.0 port, you can share printers, files, and media with various devices on your local network or via FTP server.



### Better networking experience without interference

The DS24WSG-V2 supports with various advanced features, including Parental Control, Guest Network and QoS, to guarantee fast, stable and secure online experience, freeing you from the disturbance of buffering and the threats of network attacks .

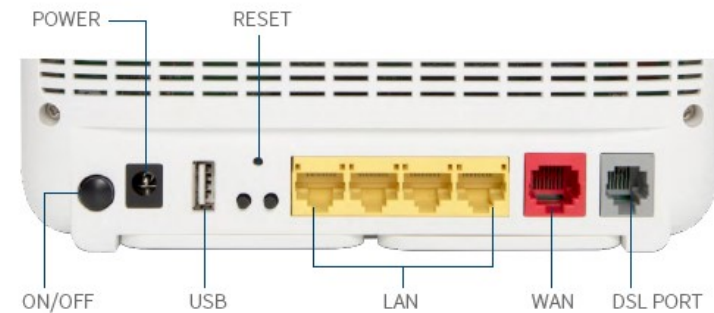
# Specifications

## General

- **DSL Standards:** VDSL2, ADSL2/2+, ADSL
- **Wireless Standards:** IEEE802.11a/n/ac,5GHz, IEEE802.11b/g/n,2.4GHz
- **Signal Rate:** 5GHz: Up to 867Mbps, 2.4GHz: Up to 300Mbps
- **Operation Frequency:** 2.4GHz & 5GHz
- **Reception Sensitivity:**
  - 5GHz
    - 11a 6Mbps: -96dBm, 11a 54Mbps: -79dBm
    - 11ac HT20: -71dBm, 11ac HT40: -66dBm, 11ac HT80: -63dBm,
    - 11n HT20: -72dBm, 11n HT40: -71dBm
  - 2.4GHz
    - 11g 54M: -77dBm
    - 11n HT20: -74dBm, 11n HT40: -72dBm
- **Wireless Security:** WEP, WPA / WPA2, WPA-PSK/ WPA2-PSK encryption

## Hardware

- **Interfaces:** 1 x DSL Port, 1 x 10/100/1000Mbps WAN Port, 4 x 10/100/1000Mbps LAN Ports, 1 x USB2.0 ports
- **Buttons:** Power ON/OFF Button, WPS Button, WiFi Button, Reset Button
- **Power Supply:** DC 12V 1.5A
- **Antenna:** 4 x internal antennas
- **Dimensions (W X D X H):** 186 x 151 x 30mm



# Specifications

## Software Features

- WAN Type: ATM/PTM/ETH/Dongle
- DHCP: Server, Client, DHCP Client List, Address Reservation
- Quality of Service: WMM, Bandwidth Control
- Port Forwarding: Virtual Server, Port Triggering, UPnP, DMZ
- VPN: PPTP, L2TP, IPSec
- Access Control: Parental Control, Local Management Control, Host List, Access Schedule, Rule Management
- Firewall Security:
  - DoS, SPI Firewall
  - IP Address Filter/MAC Address Filter/Domain Filter
  - IP and MAC Address Binding
- USB Sharing: Support Samba(Storage)/FTP Server, Media Server/Printer Server/DLNA
- Management: Access Control, Local Management, Remote Management
- Internet Protocol: IPv4, IPv6

## Environment

- Operating Temperature: 0°C~40°C (32°F~104°F)
- Storage Temperature: -40°C~70°C (-40°F~158°F)
- Relative Humidity: 10%~90%, non-condensing
- Storage Humidity: 5%~90%, non-condensing

## Package Contents

- 1 x VDSL Router
- 1 x Quick Installation Guide
- 1 x Power Adapter
- 1 x Ethernet Cable
- 1 x Telephone Line
- 1 x VDSL Splitter

## Certifications

- CE, RoHS